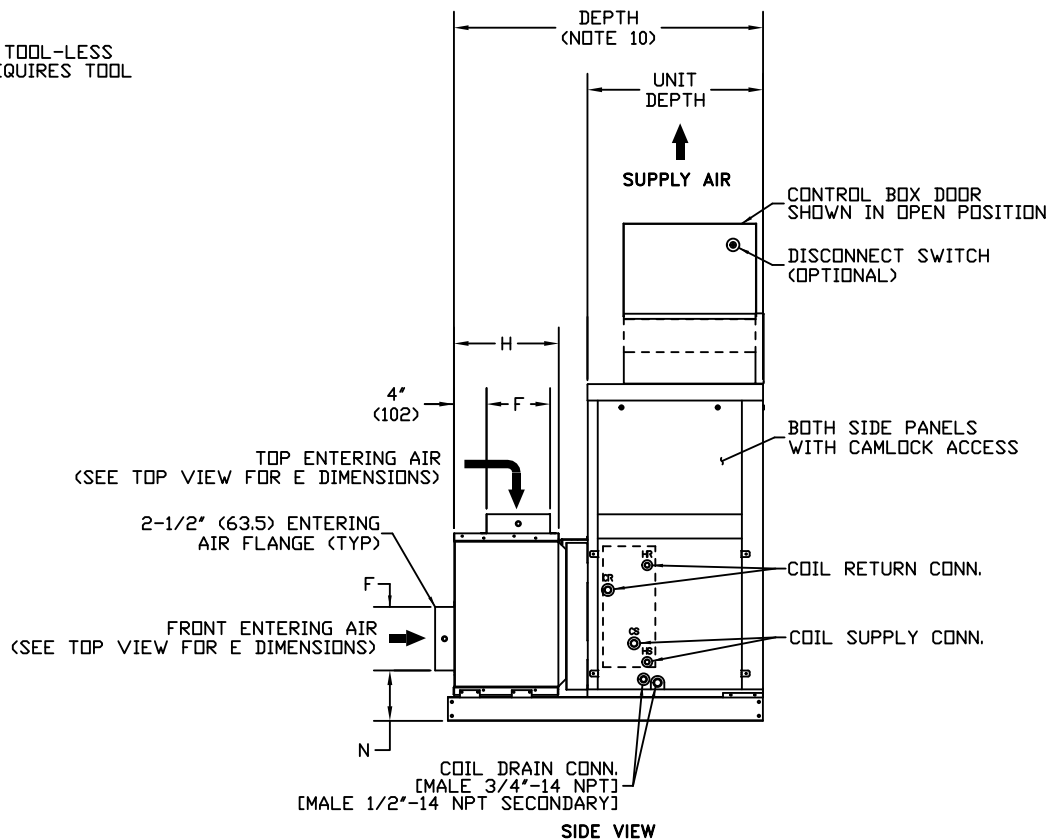
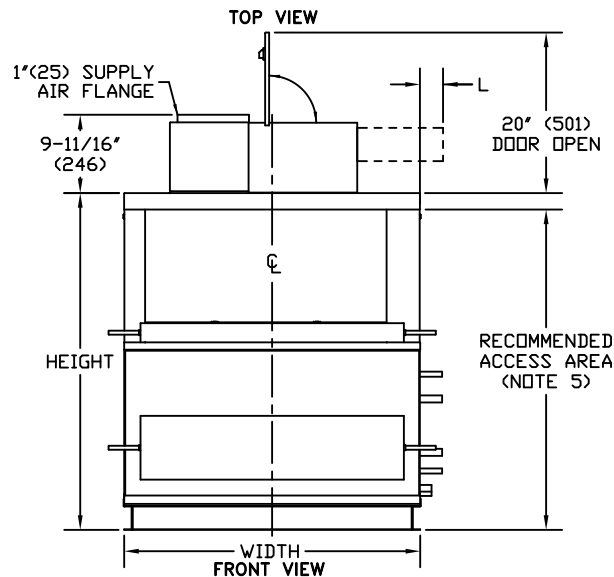
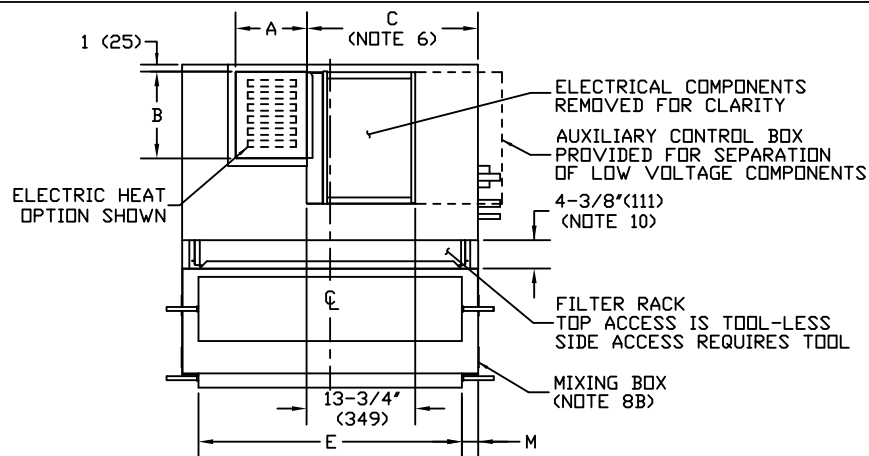


REVISION HISTORY		
REV	DATE	ECN
-	05/15/18	10-1273
A	05/15/19	19-0491



- NOTES:
- RIGHT-HAND SHOWN, LEFT HAND OPPOSITE.
  - ALL DIMENSIONS  $\pm 1/4$  INCH (6 MM).
  - PRODUCT SPECIFICATIONS ARE SUBJECT TO CHANGES WITHOUT NOTICE.
  - DIMENSIONS IN PARENTHESIS ARE IN MILLIMETERS.
  - ALLOW ADEQUATE SPACING FOR MANUEVERABILITY AROUND UNIT TO ALLOW SERVICE THROUGH RECOMMENDED ACCESS AREA.
  - "C" DIMENSION IS MEASURED FROM COIL SIDE OF UNIT.
  - MIXING BOX OPTION WILL VARY RETURN DUCT DIMENSIONS.
  - MIXING BOX OPTIONS INCLUDE:
    - KNOCKDOWN BASE RAILS FOR FIELD ASSEMBLY, WHICH ARE LETTER CODED FOR EASE OF ASSEMBLY. ALL ASSEMBLY HARDWARE INCLUDED.
    - PREASSEMBLED MIXING BOX. REFER TO TECHNICAL CATALOG FOR MORE DETAILS.
  - LINKAGE KIT SUPPLIED WITH MIXING BOX IS PROVIDED FOR FIELD INSTALLATION OF ACTUATOR; CONSISTING OF 2 CRANK ARMS, 2 SWIVELS, AND EITHER A 25" (SIZES 06-16) OR 34" (SIZES 20-30) LENGTH OF 5/16" ROD.
  - ADD 2"(51) IF USING A PRE-FILTER OR 4"(102) FILTER.

SIZE	FAN SIZE	DEPTH	UNIT DEPTH	WIDTH	HEIGHT	SUPPLY DUCT FLANGES			RETURN DUCT FLANGES		MIX BOX	AUX CNTL BOX	UNIT SIDE TO DUCT FLANGE	UNIT BOTTOM TO DUCT FLANGE
						A	B	C	E	F				
VDY06	9X6	35-1/2(902)	20(508)	28(711)	36-1/2(927)	8-7/8(225)	10-7/8(276)	15-1/8(384)	24(610)	6(152)	11(279)	4-1/2(114)	1-7/8(48)	2-7/8(73)
VDY08	9X6	35-1/2(902)	20(508)	28(711)	36-1/2(927)	8-7/8(225)	10-7/8(276)	15-1/8(384)	24(610)	6(152)	11(279)	4-1/2(114)	1	2-7/8(73)
VDY10	9X6	39-1/2(1003)	22(559)	37(940)	39-3/8(1000)	10-1/4(260)	10-7/8(276)	21-1/2(546)	33(838)	8(203)	13(330)	0(0)	1-7/8(48)	2-7/8(73)
VDY12	9X6	39-1/2(1003)	22(559)	37(940)	39-3/8(1000)	10-1/4(260)	10-7/8(276)	21-1/2(546)	33(838)	8(203)	13(330)	0(0)	1-7/8(48)	2-7/8(73)
VDY16	10X7	39-1/2(1003)	22(559)	47(1194)	39-3/8(1000)	13(330)	12(305)	16-5/8(422)	43(1092)	8(203)	13(330)	1-1/4(32)	1-5/8(41)	2-7/8(73)
VDY20	11X10	41-1/2(1054)	24(610)	48(1219)	45-1/8(1146)	16-1/4(413)	13(330)	17-1/8(435)	44(1118)	8(203)	13(330)	2-1/2(64)	1-7/8(48)	3-1/8(79)
VDY22	11X10	41-1/2(1054)	24(610)	48(1219)	45-1/8(1146)	16-1/4(413)	13(330)	17-1/8(435)	44(1118)	8(203)	13(330)	2-1/2(64)	1-7/8(48)	3-1/8(79)
VDY30	12X12	47-1/2(1207)	28(711)	48(1219)	54-1/4(1378)	16-1/4(413)	14(356)	16(406)	44(1118)	10(254)	15(381)	3-5/8(92)	1-7/8(48)	2-3/4(70)

TITLE  
VERTICAL DIRECT DRIVE  
WITH MIXING BOX

MODEL  
VDY

JOB NUMBER	
JOB NAME	
DRAWN BY S. ADKINS	
DRAWING NUMBER I100-90035128	
REVISION A	SHEET 1 OF 1